

# VIRGO<sup>iN</sup>

## TECHNICAL PARAMETERS AND EQUIPMENT

Columba<sup>iN</sup> | Orion<sup>iN</sup> | Virgo<sup>iN</sup> | Taurus<sup>iN</sup> | Persea<sup>iN</sup> | Draco<sup>iN</sup> | Lyra<sup>iN</sup> | Aston | Noel | Benjamin

### MODEL SPECIFICATION

Shell size	<b>219 x 219 x 91 cm</b>
Cabinet size	<b>225 x 225 x 94 cm</b>
Water volume	<b>1370 l</b>
Dry weight	<b>430 kg</b>
Filled weight	<b>1800 kg</b>
Shell MassiveShell Construction color selection	<b>yes 11+</b>
Total seating	<b>6</b>
Seats	<b>4</b>
Lounger	<b>2</b>
iNwave <sup>®</sup> loungers	<b>1</b>

### MASSAGE

Total number of jets	<b>80</b>
Water jets	<b>66</b>
Air jets	<b>14</b>
TurboBoost system	<b>Personal</b>
Boost Control <sup>™</sup> regulation	<b>5</b>

### SPECIAL JETS

Pillow Jet	<b>1</b>
Volcano Jet	<b>1</b>

### HYDROTHERAPY SETS

ShiatsuComplex <sup>iN</sup>	<b>1</b>
FanComplex <sup>iN</sup>	<b>1</b>
LegComplex <sup>iN</sup>	<b>2</b>
HamamComplex <sup>iN</sup>	<b>1</b>
XComplex <sup>iN</sup>	<b>1</b>
FrontComplex <sup>iN</sup>	<b>1</b>

### CONTROL

USSPA iNtelligSmart <sup>®</sup> electropack	<b>yes</b>
ISM <sup>®</sup> control system	<b>yes</b>
Mobile application	<b>USSPA SmartApp</b>
Web control (connection to internet needed)	<b>yes</b>
Selfdiagnostics with optional protocol	<b>yes</b>
Monitoring of lifetime of selected components	<b>yes</b>
Standard Energy Save Mode	<b>yes</b>
iNvision <sup>®</sup> display	<b>yes</b>
iNcontrol piezo buttons	<b>4</b>

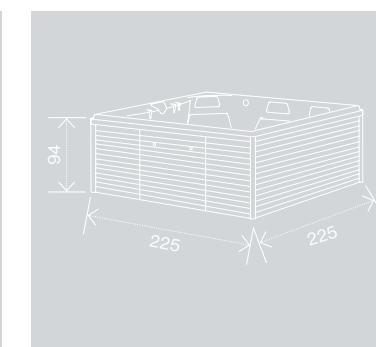
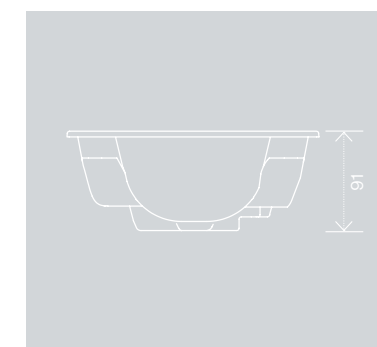
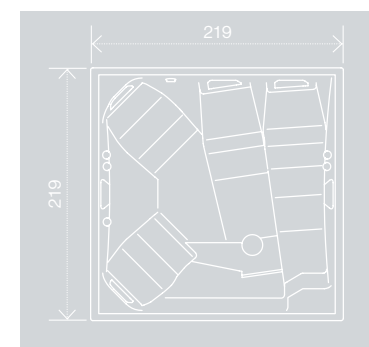
### TECHNOLOGY

Pump 1 / dual speed	<b>1,5 / 0,37 kW + 5 HP</b>
Pump 2 / single speed	<b>1,5 kW + 3 HP</b>
Air blower	<b>1,2 kW</b>
ICM <sup>®</sup> Intelligent Cleaning Management	<b>Automatic / Manual</b>
Pressure Clean filtration	<b>yes</b>
OzonePure ozonator	<b>yes</b>
Heater	<b>6 kW Titanium Coil</b>
NordicSuperior <sup>™</sup> protection system	<b>yes</b>
Thermoguard <sup>™</sup> insulation	<b>yes</b>
Rainbow Light	<b>yes</b>

### MORE STANDARD ACCESSORIES

Handrail	<b>2x Twinrail<sup>™</sup></b>
Pillows / colors	<b>4 / grey</b>
Cover / color selection	<b>yes / 8+</b>
Cabinet / design options	<b>yes / 10+</b>
Protective cabinet pan	<b>yes</b>
Bottom drainage	<b>yes</b>
Multilevel shell floor	<b>yes</b>

We will be happy to present you with further options of accessories and services. Visit our showrooms.



Standard connection – 400 V / 50 Hz, circuit breaker 16 A  
Current protector IΔn = 0,03 A