

SWIM SPA M

TECHNICAL PARAMETERS AND EQUIPMENT

MODEL SPECIFICATION

Shell size	457 × 239 × 124 cm
Cabinet size	457 × 239 × 124 cm
Water volume	7 400 l
Dry weight	1 300 kg
Filled weight	8 700 kg
MassiveShell Construction color selection	yes 2
Counter-current	up 3 000 l / min

JETS

Total number of jets	19
Counter-current jets Swim Jet	6
Hydromassage jets	13
Air Control	1

CONTROL

USSPA iNtelligsmart® electropack	yes
ISM® control system	yes
USSPA SmartApp mobile application	yes
Web control (connection to internet needed)	yes
Selfdiagnostics with optional protocol	yes
Monitoring of lifetime of selected components	yes
Standard Energy Save Mode	yes
iNvision® display	yes
iNcontrol piezo buttons	4

TECHNOLOGIE

Pump 1 / dual speed	1,5 / 0,37 kW + 5 HP
Pump 2 / single speed	1,5 kW + 5 HP
Pump 3 / single speed	1,5 kW + 5 HP
ICM® Intelligent Cleaning Management	Automatic / Manual
Pressure Clean filtration	yes
OzonePure ozonator	yes
Heater	6 kW Titanium Coil
Insulation	PU
FreezeProtection system	yes
Lighting	2 × 12 W

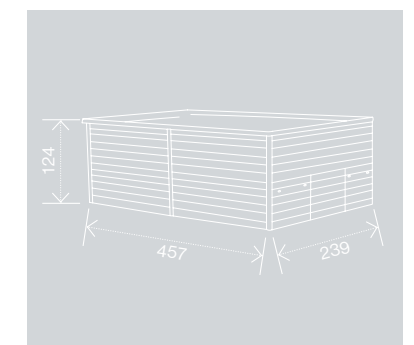
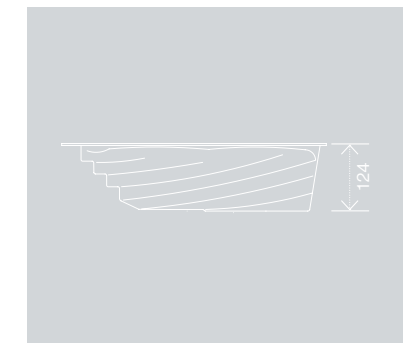
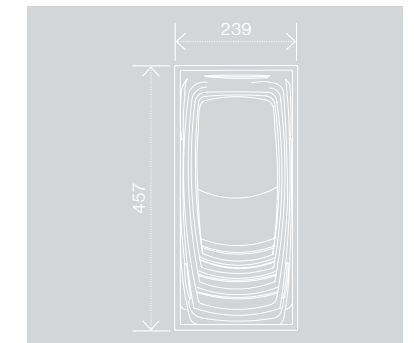
MORE STANDARD ACCESSORIES

Handrail	1 + 2 Gymrail
Cover / color selection	yes / 8+
Cabinet / design options	yes / 2
Multilevel floor	yes

We will be happy to present you with further options of accessories and services. Visit our showrooms.



Swim Spa XL | Swim Spa M



Standard connection – 400 V / 50 Hz, circuit breaker 16 A
Current protector IΔn = 0,03 A